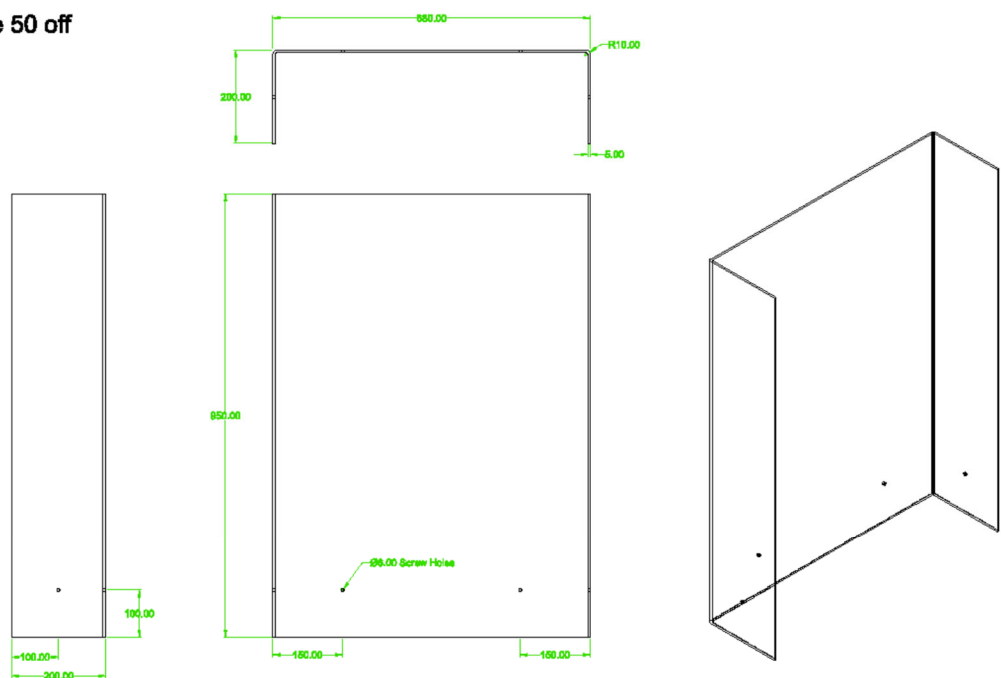




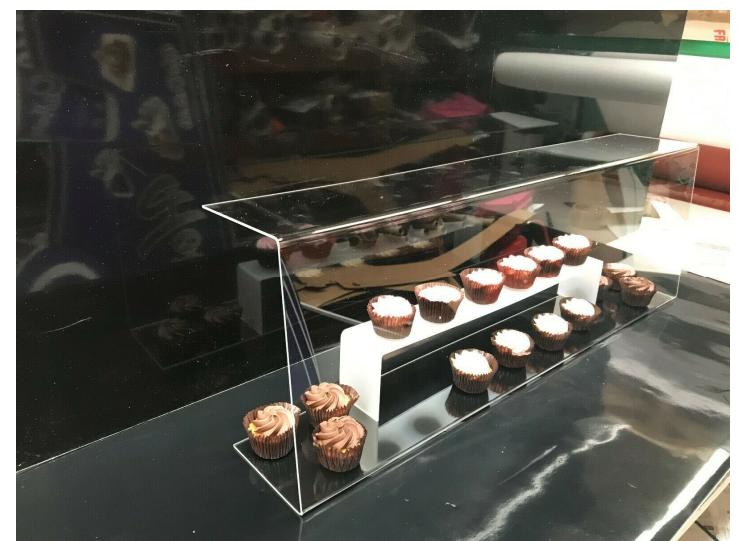
Globe Tooling & Leisure

Globe Tooling & Leisure Products Ltd
24 – 25 Raynham Road Industrial Estate
Bishop Stortford
Hertfordshire, CM23 5PE
Phone: - (01279) 656047
Fax: - (01279) 504711
E-Mail:- sales@globetooling.co.uk

Make 50 off



Drawn NED	Date 23/04/2020	Customer:	GLOBE TOOLING & LEISURE 24-25 Raynham Road Bishop Stortford Hertfordshire SG8 5PE 01279 656047
Material: Clear Perspex 6mm	Finish:	Project Title: Perspex Guard	
Issue #	Approved	Rev	1
File Name	Date App	Drawing Name: Perspex Guard.dwg	COPYRIGHT DRAWING ©



SOCIAL DISTANCING SCREENS VARIOUS / BESPOKE DESIGNS